

DV02 SERIES LOTO DIAPHRAGM VALVE

GENTEC® DV02 Series LOTO Diaphragm Valve is developed for use with integrated gas systems (IGS).



SLVV-DV02M-11C2-R-S1

Features

- Assembled and packaged for Ultra-high purity semiconductor applications
- Compact Design
- LOTO Handle (Lock-out-tag-out handle)
- Cobalt-based superalloy diaphragm
- 100% Helium-leak tested
- 1.125" C-Seal or 1.125" W-Seal

Materials

- Body: 316L VIM VAR, 316L VAR
- Seat: PCTFE
- Diaphragm: Co-Ni Super Alloy

Specifications

- Flow capacity: Cv=0.3
- Maximum leak Rate:
Inboard leakage: 3×10^{-11} atm cc/sec He
Across seat leakage: 1×10^{-9} atm cc/sec He

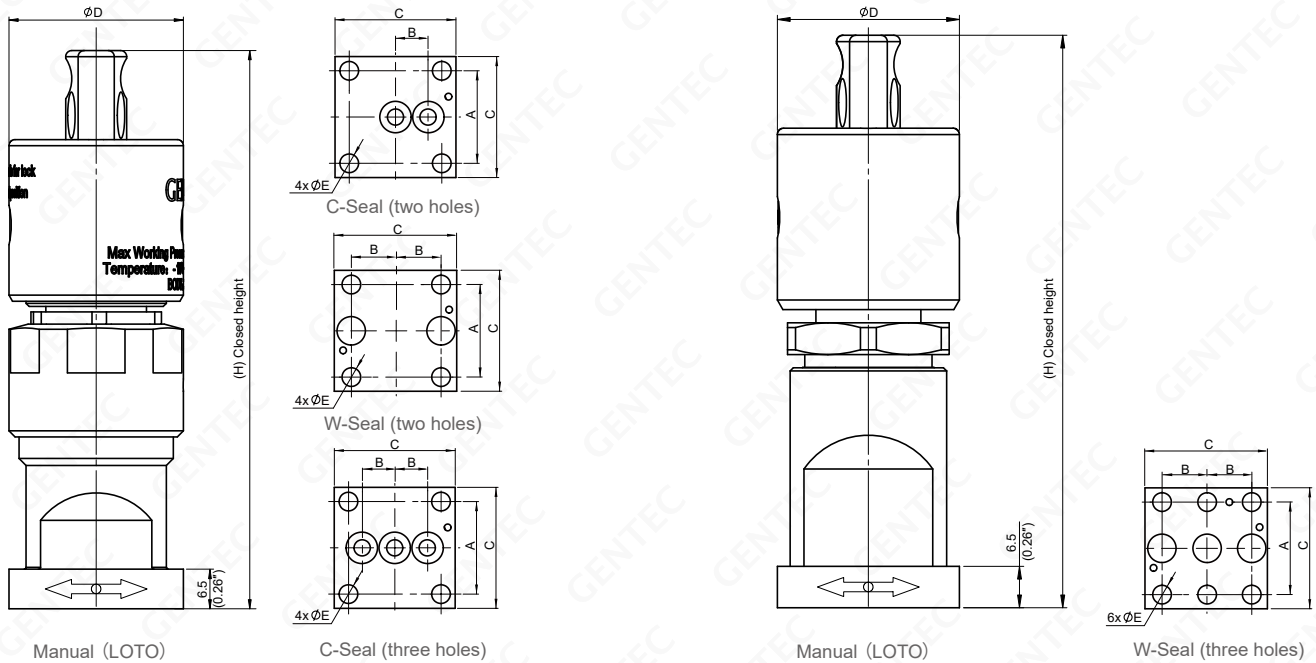
Operating Conditions

- Maximum Operating Pressure: 150 psi
- Minimum Operating Pressure: vacuum
- Temperature: $-10^{\circ}\text{C} \sim 80^{\circ}\text{C}$ ($14^{\circ}\text{F} \sim 176^{\circ}\text{F}$)

Wetted Surface

- Ra: 5 μm
- Wetted Components processed according to GENTEC Ultra High Purity Process Specification (GC-S1)

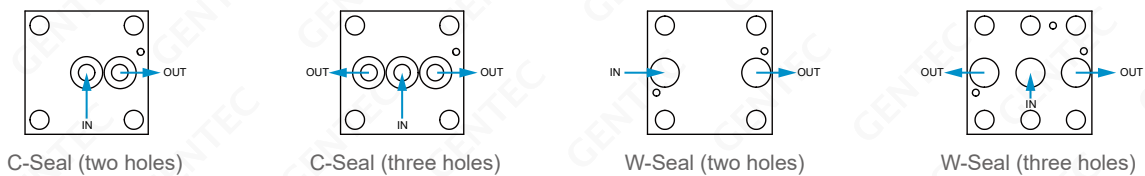
Dimensions



Dimensions: in. (mm)

Actuation	Dimensions					
	A	B	C	D	E	H
Manual (W-Seal, two holes)	21.8 (0.86")	10.0 (0.39")	28.6 (1.13")	28.6 (1.13")	4.4 (0.17")	87.7 (3.45")
Manual (W-Seal, three holes)	21.8 (0.86")	10.0 (0.39")	28.6 (1.13")	28.6 (1.13")	4.4 (0.17")	89.9 (3.54")
Manual (C-Seal)	21.8 (0.86")	7.75 (0.31")	28.6 (1.13")	28.6 (1.13")	4.4 (0.17")	91.5 (3.60")

Inlet and Outlet



Ordering Information

Ex:	SLVV	- DV02	M -	- 11C2	- R	- S1
	Body	Series Number	Actuation	Connection Type	Knob Color	Process Standard
	SLVV: 316L VIM VAR SLV: 316L VAR	DV02	M: Manual	11C2: 1.125" C-Seal, two holes 11C3: 1.125" C-Seal, three holes 11W2: 1.125" W-Seal, two holes 11W3: 1.125" W-Seal, three holes Other connection styles are available	R: Anodized Red (Standard) W: Anodized Natural Color B: Anodized Blue Blank: Anodized Black	S1: Ultra-high purity process